

# MINER LIGHT

# USER MANUAL

600W OUTDOOR LED ZOOM GOBO PROJECTOR



CE



Version 202211

PLEASE READ OVER THIS MANUAL BEFORE OPERATING THE LIGHT FIXTURE.

# 1. SAFETY INSTRUCTION

The 600W LED waterproof gobo projector is designed and manufactured to meet the requirements of People's Republic of China and international safety regulations. Modifications to the product could affect safety and render the product non-compliant to relevant safety standards.

Instructions pertaining to continued protection against fire, electric shock, and injury to persons are found throughout this manual. Please read all instructions prior to assembling, mounting, and operating this equipment.

## **IMPORTANT**

ALWAYS READ THE USER MANUAL BEFORE OPERATION. PLEASE CONFIRM THAT THE POWER SUPPLY STATED ON THE PRODUCT IS THE SAME AS THE MAINS POWER SUPPLY IN YOUR AREA.

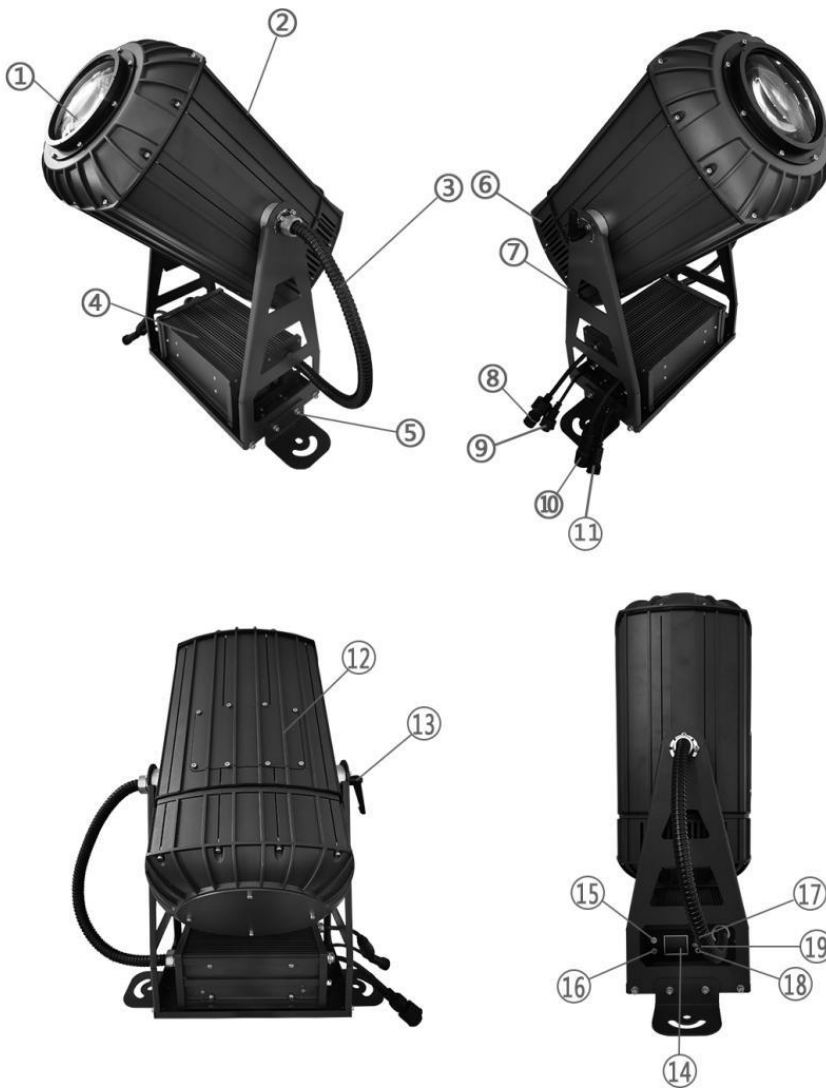
- This product must be installed by a qualified professional.
- Always operate the equipment as described in the user manual.
- A minimum distance of 1m must be maintained between the equipment and combustible surface.
- The product must always be placed in a well ventilated area.
- Always make sure that the equipment is installed securely.
- DO NOT stand close to the equipment and stare directly into the LED light source.
- Always disconnect the power supply before attempting and maintenance.
- Always make sure that the supporting structure is solid and can support the combined weight of the products.

## **ATTENTION**



- This product left the place of manufacturer in perfect condition. In order to maintain this condition and for safe operation, the user must always follow the instructions and safety warnings described in this user manual.
- Avoid shaking or strong impacts to any part of the equipment.
- Make sure that all parts of the equipment are kept clean and free of dust.
- Always make sure that the power connections are connected correct and secure.
- If there is any malfunction of the equipment, contact us immediately.
- When transferring the product, it is advisable to use the original packaging in which the product left the factory.
- Shields, lenses or ultraviolet screens shall be changed if they have become damaged to such an extent that their effectiveness is not conformable.

## 2. PRODUCT INTRODUCTION



- ① Lens
- ② House
- ③ Sheathed Cable (Wire Protection Pipe)
- ④ Power Supply Box
- ⑤ Bracket Mounting Hole
- ⑥ Cooling Hole
- ⑦ Base Bracket
- ⑧ POWER IN(3 pin)
- ⑨ DMX IN(3 pin)
- ⑩ POWER OUT(3 pin)
- ⑪ DMX OUT(3 pin)
- ⑫ Access Panel for Changing Gobos
- ⑬ Fast Lock
- ⑭ LCD Display
- ⑮ ESC-Button
- ⑯ ENTER-Button
- ⑰ UP-Button
- ⑱ DOWN-Button
- ⑲ DMX Indicator Light

## 3. MAIN FEATURES

- Independent R & D optical module with high intensity
- Built-in LED display for easy configuration
- 25 self-configured auto programs for convenient usage
- 6 Dichoric Colors + 7 interchangeable glass gobos(or 6 interchangeable glass gobos and open) + 4-facet circular rotating prism
- Linear zoom from 5° to 50°
- 5 control modes for selection freely
- IP65

## **4. SPECIFICATION**

### **SOURCE**

- Light Source: 600W Color White LED
- Color Temperature: 6600K
- Average LED Life: 20,000 Hour

### **POWER**

- Input Voltage: 100-240V AC, 50/60Hz
- Power Consumption: 750W

### **OPTICAL SYSTEM**

- Zoom: 5° - 50° linear electronic
- Prism: 4-facet circular rotating prism
- Focus: Motorized linear focus
- Strobe: 0-25Hz variable speed, pulse and random strobe
- Dimmer: 0-100% variable linear dimming curves

### **COLORS**

- 6 Dichoric Colors plus open, Index / Bi-directional rotating rainbow effect

### **ROTATING GOBOS**

- 1 rotation gobo wheel with 6 interchangeable glass gobos plus open or 7 interchangeable glass gobos
- Interchangeable rotating / Shake / Bi-directional variable-speed rotation effect
- Glass gobo outside  $\Phi$ 28mm, inside  $\Phi$ 22mm

### **CONTROL&CONNECTION**

- DMX Channel: 10CH
- Control Mode: DMX, Auto 1, Auto 2, Sound, Scene
- Full Color 180° Reversible LCD
- DMX In/Out: 3-pin waterproof Male/Female signal cable
- Power In/Out: 3 pin waterproof Male/Female power cable

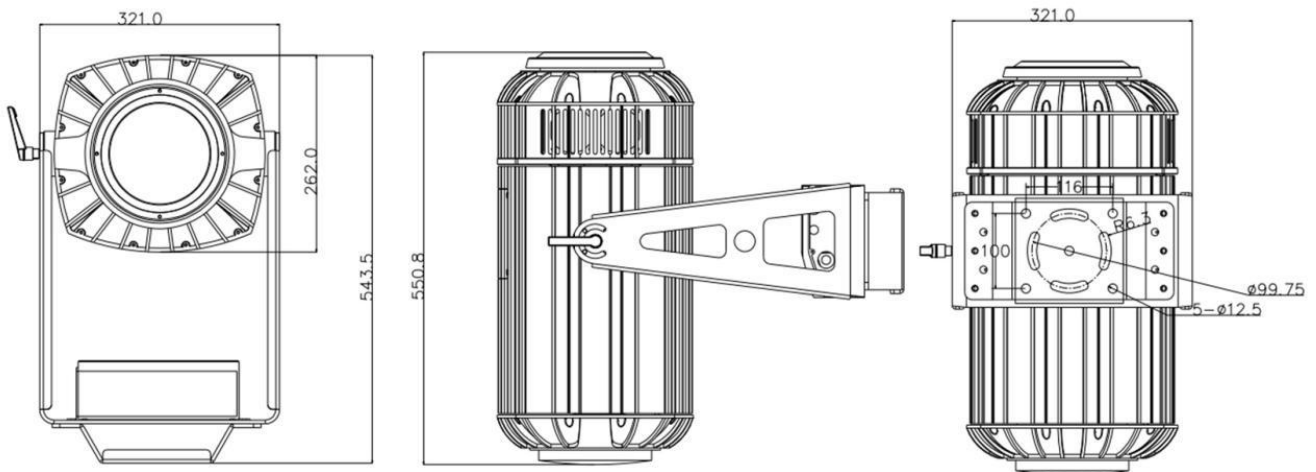
### **PHYSICAL**

- Protection Rate: IP65
- Body Finish: Aluminum alloy shell with high strength, surface blasting oxidation treatment, black and gray optional or customized color is available
- Cooling System: The heat pipe and advanced cooling system make the chip cool all the time, which maximize the chip illuminance and delay its life greatly

### **WEIGHT&DIMENSION**

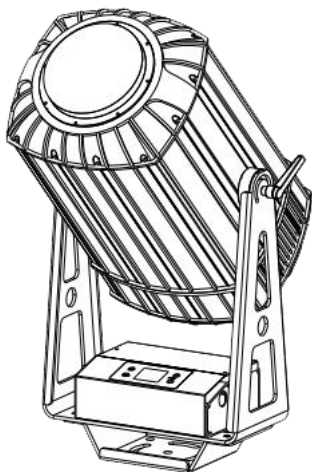
- Net Weight: 26.05kg
- Gross Weight: 28.50kg
- Product Dimension: 262×321×544mm
- Package(Carton): 335×422×807mm

## 5. DIMENSION (mm)

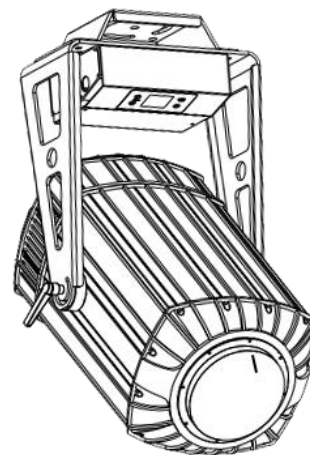


## 6. MOUNTING AND INSTALLATION

- The fixture can be mounted in any position.
- Always ensure that mounting surface can withstand 10 times the weight of the fixture.
- Always use a safety cable when mounting the fixture in any elevated position.



Uplight



Hanging

### IMPORTANT SAFETY NOTE!!

Always use a safety cable when installing this unit!!

Be sure that the safety cable is connected to a solid load-bearing structure.

## 7. DISPLAY PANEL INTRODUCTION

Using the display panel to set the starting DMX address or make other settings. The function description is as follows:

【 ESC 】 Exit from the currently selected menu; press ESC button when in lock to enter the unlock interface.

【 Enter 】 Enter the currently selected menu or confirm the current function value.

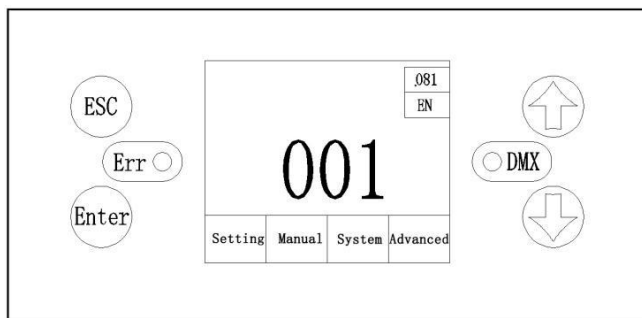
【 ↑ 】 Scroll “Up” through the menu list or increase the value of the current function.

【 ↓ 】 Scroll “Down” through the menu list or decrease the value of the current function.

【 DMX 】 When the red LED indicator is on, it means that the DMX signal is connected successfully; When the indicator light is off, it means that there is no DMX signal, and the red indicator light is off when it is as the host.

【 Err 】 When the yellow LED light is on, it means that the system is with error. Please go to "System - System Errors" in the menu to check the relevant information; if the light is off, it means there is no system error.

【 Unlock the Screen 】 The screen will be locked after 25 seconds in the normal state, but will not be locked in the scene set state. You can not operate the fixture after the screen is locked. You need to press ESC to enter the unlocking interface. After entering the unlocking interface, press **↑↓↑↓** (up down up down), and then press Enter to unlock.



Functions and settings of the display menu is below:

MAIN MENU	SECONDARY MENU	TERTIARY MENU	FUNCTION & DESCRIPTION	
Setting	Run Mode	DMX	Slave state: Receive DMX signal from console or host	
		AUTO 1		
		AUTO 2		
		Sound		
		Scene	Run the scene you set	
	Scene Set (Self-configured scenes; the most is up to 25 steps; press "Enter" button to go to the editing state)	Scene Select 【01-25】	Switch 01-25 steps; there are totally 25 scenes; the data of the previous scene will be saved automatically (you need to return to the previous menu after editing the last step, otherwise, the last step won't be saved if power off directly)	
		Scene Time 【000-255】	0-255 seconds; factory defaults 3 seconds (1 equals 1 second)	
		Auto Run 【On / Off】	Turn on/off scene; factory defaults that all scenes are closed, the closed state does not run this scene when in run mode	
		1. Dimmer	Set the function value of the scene; refer to DMX channel assignments	
		2. Shutter		
		3. Colour		
		4. Gobo		
		5. GoboRt		
		6. GoboRt Fine		
	7. Prism			
8. Zoom				
9. Focus				
DMX Address	001-512	Press "Enter" button to enter the editing state. Press "Up" and "Down" button to change the DMX address. Then press "Enter" button again to save the DMX address.		
Channel Mode	10CH	Refer to DMX channel assignments		

MAIN MENU	SECONDARY MENU	TERTIARY MENU	FUNCTION & DESCRIPTION
Setting	Display	Black	Turn off the backlight after 25 seconds of inactivity(lock screen)
		DmxAddr	Show the DMX address after 25 seconds of inactivity(lock screen), turn off the backlight after 75 seconds
		OFF	The backlight is always on(without locking the scene)
	No DMX Signal	KEEP	Remove the signal source, the fixture remains with the last received scene
		CLEAN	Remove the signal source, the fixture returns to the original state
	Clear Scene Data	OK/Cancel	Delete all data in scene setting
	Load Default	OK/Cancel	Restore the function in the setting interface to factory setting
Manual	01. Dimmer	0-255	Press "Enter" button to enter the editing state. Press"Up" and "Down" button to change the DMX address.It is same as the channel of DMX console, the DMX512 signal will not be received here
	02. Strobe		
	03. Color		
	04. Glass Gobo		
	05.Glass Gobo Rt		
	06. Gobo Rt Fine		
	07. Prism		
	08. Zoom		
	09. Focus		
	10. Reset	OK/Cancel	Press "Enter" button, star to reset
System	DIS		Version number of display board
	MT		Version number of motor board
	System Errors		If the yellow Err indicator is on, it means that the fixture is working with error, and the details can be viewed from this sub-interface. After checking, you can press "Enter" button to clear the error record
	Total Fixture Hours		Show the information of the total working time
	Partial Fixture Hours		Show the information of the working time of this time
	Temp&Humi		Show the currently detected temperature and humidity
Advan	Sensor Monitor	.....Hall	When magnetism is detected, it is 0, otherwise it is 0
	Reset Calibration		Do not modify calibration parameters without the permission of the manufacturer
	TemProtect	085	Temperature protection default 85 degree
.081↑			Screen reverse
EN/中			Switch English and Chinese

## 8. DMX CHANNEL ASSIGNMENTS

This product has 10 DMX channel as below:

CH	Function	DMX	Details
1	Dimmer	0-255	Linear dimmer from dark to bright
2	Strobe	0-3	Light off
		4-7	Light up
		8-76	Strobe with the same step from slow to fast
		77-145	Strobe with pulse from slow to fast
		146-215	Strobe with random from slow to fast
		216-255	Light up

CH	Function	DMX	Details
3	Color Wheel	0-8	Open
		9-17	Color 1
		18-26	Color 2
		27-35	Color 3
		36-44	Color 4
		45-53	Color 5
		54-62	Color 6
		63-82	Open + Color 1
		83-100	Color 1 + Color 2
		101-118	Color 2 + Color 3
		119-135	Color 3 + Color 4
		136-154	Color 4 + Color 5
		155-172	Color 5 + Color 6
		173-189	Color 6 + Open
		190-220	Forward-directional rainbow effect, from fast to slow
		221-224	Stop
		225-255	Reversed-directional rainbow effect, from slow to fast
4	Gobo Wheel	0-8	Gobo 1 / Open
		9-17	Gobo 2 / Gobo 1
		18-26	Gobo 3 / Gobo 2
		27-35	Gobo 4 / Gobo 3
		36-44	Gobo 5 / Gobo 4
		45-53	Gobo 6 / Gobo 5
		54-63	Gobo 7 / Gobo 6
		64-73	Gobo 7 / Gobo 6 shake, from slow to fast
		74-82	Gobo 6 / Gobo 5 shake, from slow to fast
		83-91	Gobo 5 / Gobo 4 shake, from slow to fast
		92-100	Gobo 4 / Gobo 3 shake, from slow to fast
		101-109	Gobo 3 / Gobo 2 shake, from slow to fast
		110-118	Gobo 2 / Gobo 1 shake, from slow to fast
		119-127	Gobo 1 / Open shake, from slow to fast
		128-189	Forward-directional rainbow effect, from slow to fast
		190-193	Stop
		194-255	Reversed-directional rainbow effect, from slow to fast
5	Gobo Rotation	0-63	Rotating gobo orientation
		64-145	Reversed-directional rotation, from slow to fast
		146-149	Stop
		150-231	Forward-directional rotation, from slow to fast
		232-255	Gobo rotation, Bi-directional rainbow effect, from slow to fast
6	Gobo Rotation Fine	0-255	16bit adjustable
7	Prism	0-15	Open
		16-32	Prism
		33-159	Reversed-directional rotation, from slow to fast
		160-167	Stop
		168-255	Forward-directional rotation, from slow to fast



CH	Function	DMX	Details
8	Focus	0-255	From smalll to large , from far to near
9	Zoom	0-255	From far to near
10	Function Channels	0-95	No function
		96-111	All reset
		112-255	No function

## 9. HOW TO CONFIGURATE AUTO PROGRAM

According to different application requirement, users can configure auto program freely via setting the function value on the LCD display. Users can go into the menu "Setting->Scene setting" to set the value of each DMX channel. Once the configuration is finished, the configured auto program will be stored, and users can go back to the menu "Run Mode->Scene" to play. The interface which users click to the "Scene Setting" is as follows:

Scene Select	→	01-25	25 steps of scene can be switched, the previous step can be saved automatically once enter the next scene
Scene Time	→	000-255	Customers can adjust according to their needs(1 equals 1 second)
Auto Run	→	On / Off	Scene mode does not run this step scene when it is off
Dimmer	→	000-255	Customers can adjust the value of function channel according to their own needs refer to the DMX channel assignment and lighting effect, and then press "Enter" button to save the value after modifying the value
Shutter	→	000-255	
Colour	→	000-255	
Gobo	→	000-255	
GoboRt		000-255	
GoboRt Fine		000-255	
Prism	→	000-255	
Zoom	→	000-255	
Focus	→	000-255	

There are totally 25 steps for self-configuration. Users could configure freely, very simple and convenient for usage.

## 10. CLEANING

In order to make the fixture in good condition and extend the life time, we suggest a regular cleaning to the fixture.

- Clean the inside and outside lens each week to avoid the weaknesses of the fixture due to accumulation of the dust.
- Clean the fan each week.
- A detailed electric check by approved electrical engineer each three month, make sure that the circuit contacts are in good condition, prevent the poor contact of circuit from overheating.

We recommend a frequent cleaning of the device. Please use a moist, lint-free cloth. Never use alcohol or solvents. There are no serviceable parts inside the device. Should you need any spare parts, please order genuine parts from us.